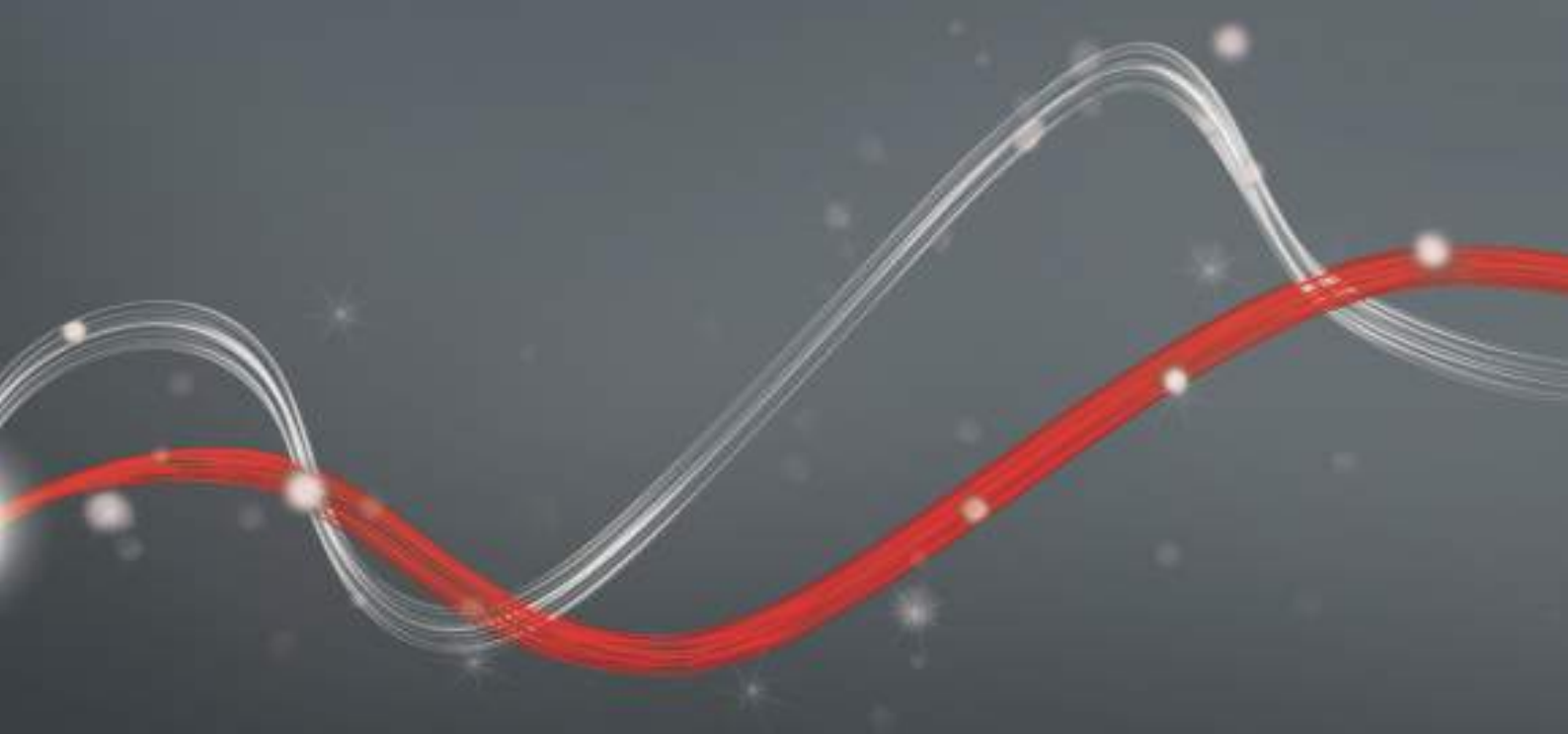




Be ahead



dv hwey d



PRODUCT

• ADVANTAGES
• PLUS

• CONTROL UNIT
• TECHNICAL FEATURES

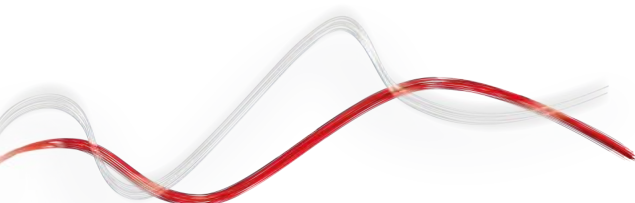
• ACCESSORIES

• DISCOVER U-LINK



ARES BT A

Code	Name		Description	
P926189 00002	ARES BT A1000		Operator 24 V for sliding gates up to 1000 kg in weight. Leaf speed 9 m/min. Limit switch Electromechanical.	
P926190 00002	ARES BT A1000 V		Operator 24 V for sliding gates up to 500 kg in weight. Leaf speed 12 m/min. Limit switch Electromechanical.	
P926187 00002	ARES BT A1500		Operator 24 V for sliding gates up to 1500 kg in weight. Leaf speed 9 m/min. Limit switch Electromechanical.	
P926188 00002	ARES BT A1500 V		Operator 24 V for sliding gates up to 750 kg in weight. Leaf speed 12 m/min. Limit switch Electromechanical.	



· PRODUCT

· **ADVANTAGES**
· **PLUS**

· CONTROL UNIT
· TECHNICAL FEATURES

· ACCESSORIES

· **DISCOVER U-LINK**

ADVANTAGES

Simplified and intuitive wiring: the Hamal control units have standardised terminal blocks with different colours depending on the input and output function blocks for maximum ease of connection of operators and accessories.

Obstacle recognition: The D-Track torque control system together with the virtual encoder ensure maximum precision in the control of leaf movement and the recognition of obstacles, ensuring maximum safety for people and property, as well as facilitating certification of the system.

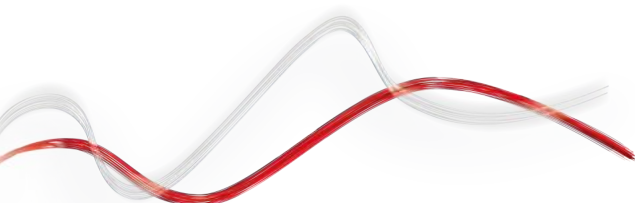
PLUS



release lever with personalised key: the release lever simplifies motor release and the personalized key ensures its uniqueness, for better safety



front screws: this arrangement of the casing screws offers ease and convenience during installation and maintenance, even when there is limited space.



· PRODUCT

· ADVANTAGES
· PLUS

· CONTROL UNIT
· TECHNICAL FEATURES

· ACCESSORIES

· DISCOVER U-LINK

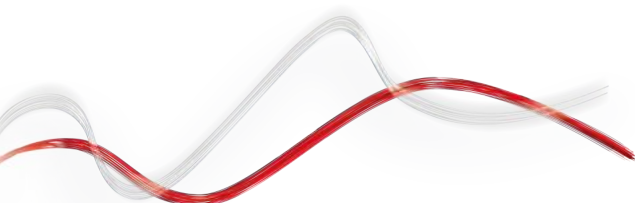
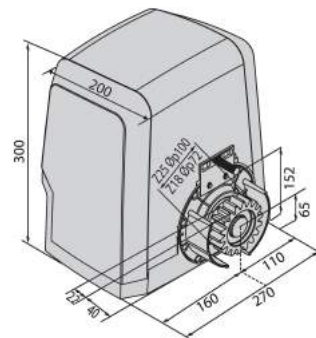
HAMAL



HAMAL

- Application: control unit for 1 24V operator for sliding gates
- Board power supply: 230V single-phase
- Operator power supply: 24V 80W
- Main features: removable terminal blocks with new standard colour-coding, dip-switch programming and potentiometers, incorporated dual channel receiver, D-Track anti-crushing system, slowdown during opening and closing
- Main functions: automatic re-closing, pedestrian opening, input for 8k2 edge, fast closing

f	l dq dp	
t	LN	LN
t	LNH	NHH
t	N	N
w		
p		
v		
i		
h	ELH f ∞ f	
t	mLN	
d	R	R
m	E	E



· PRODUCT

· ADVANTAGES
· PLUS

· CONTROL UNIT
· TECHNICAL FEATURES

· ACCESSORIES

· DISCOVER U-LINK

	Code	Name	Description
	D571053	CVZ	Steel rack, 4-module, cross-section 30 x 12 mm, length 1 m, screw-fitted on supports (supplied)
	D111904	MITTO B RCB02 R1	Transmitter with 2 channels. Range 50/100 m. Power supply 12 V with 1 battery type 23 A
	P121023	Q.BO KEY WM AV	Vandalproof key selector with double contact, for outdoor use. Metal structure.
	P121022	Q.BO KEY WM	Key selector for outdoor use with double contact.
	P121024	Q.BO TOUCH	Wireless digital touch button panel 433Mhz rolling code.
	P121025	Q.BO PAD	Vandalproof digital push-button panel, for outdoor use. Metal structure and s/steel buttons. Compatible with WIEGAND protocol, it ensures maximum system safety as it does not directly control the opening of the entry point.
	P125035	SL BAT2	set of backup batteries for Deimos BT A and Ares BT A
	P111527	DESME A15 O	Pair of photocells adjustable horizontally and vertically. IR signal synchronised to prevent any risk of blinding. Range . Power supply ac/dc.
	P111526	DESME A15	Pair of self-aligning photocells. Range 30 m. Power supply 24 V ac/dc.
	P903018	PHP	Pair of aluminium posts for THEA/DESME series photocells Height 522 mm
	D113748 00003	RADIUS B LTA 24 R1	Flashing light without incorporated antenna for motors with power supply 24 V.
	D113749 00003	RADIUS B LTA 24 R2	Flashing light without incorporated antenna for motors with power supply 24 V.
	N190104	BIR C	Rubber safety edge (H 30 mm), price per m
	P125018	THEKE B PRA 01	Metal protection box for ARES and ICARO series sliding operators
	N999156	SFI	Anchor base for ARES and ICARO (supplied with operator)

· PRODUCT

· ADVANTAGES
· PLUS· CONTROL UNIT
· TECHNICAL FEATURES

· ACCESSORIES

· DISCOVER U-LINK

What is U-Link?

The innovative technology that gives you new power

An exclusive Bft innovation: U-Link (Universal Link) is an exclusive Bft platform that allows the creation of technological ecosystems. In Home Automation Access, it allows communication with all the home access automation devices of any brand. So you save time and can control everything with ease, without any worries.

It is intuitive

Easy to install and use

It is scalable

Allows an unlimited number of devices to be added

It is flexible

Allows the creation of groups of interconnected products

It is practical

Works with or without a web connection

It is functional

Parameters can be controlled remotely via dedicated applications

- PRODUCT
- ADVANTAGES PLUS
- CONTROL UNIT TECHNICAL FEATURES
- ACCESSORIES
- DISCOVER U-LINK

All in one scheme: discover this amazing technology

A unique platform allowing the creation of technological ecosystems offering a wide range of solutions for different sectors.

Thanks to the B-Eba cards and the Clonix U-Link receiver, this proprietary platform featured by Bft products adapts to any protocol and access automation product (even non-Bft and old generation), and is used in various sectors.

Each device thus becomes smart and can be interconnected with other systems, thanks to a language that becomes universal.

U-Base 2



Software to install, easily and comfortably carry out maintenance and identify any malfunction of U-link compatible operators.

U-SDK



U-SDK is the innovative application that can make Bft automation systems compatible and easily integrated with a BMS network for the supervision of buildings.



Magistro

An innovative and easy to install system for easily managing all the home automation.



U-Control

U-Control is the application that helps the simple and quick integration of BFT automations in large building management systems.



Blue-Entry

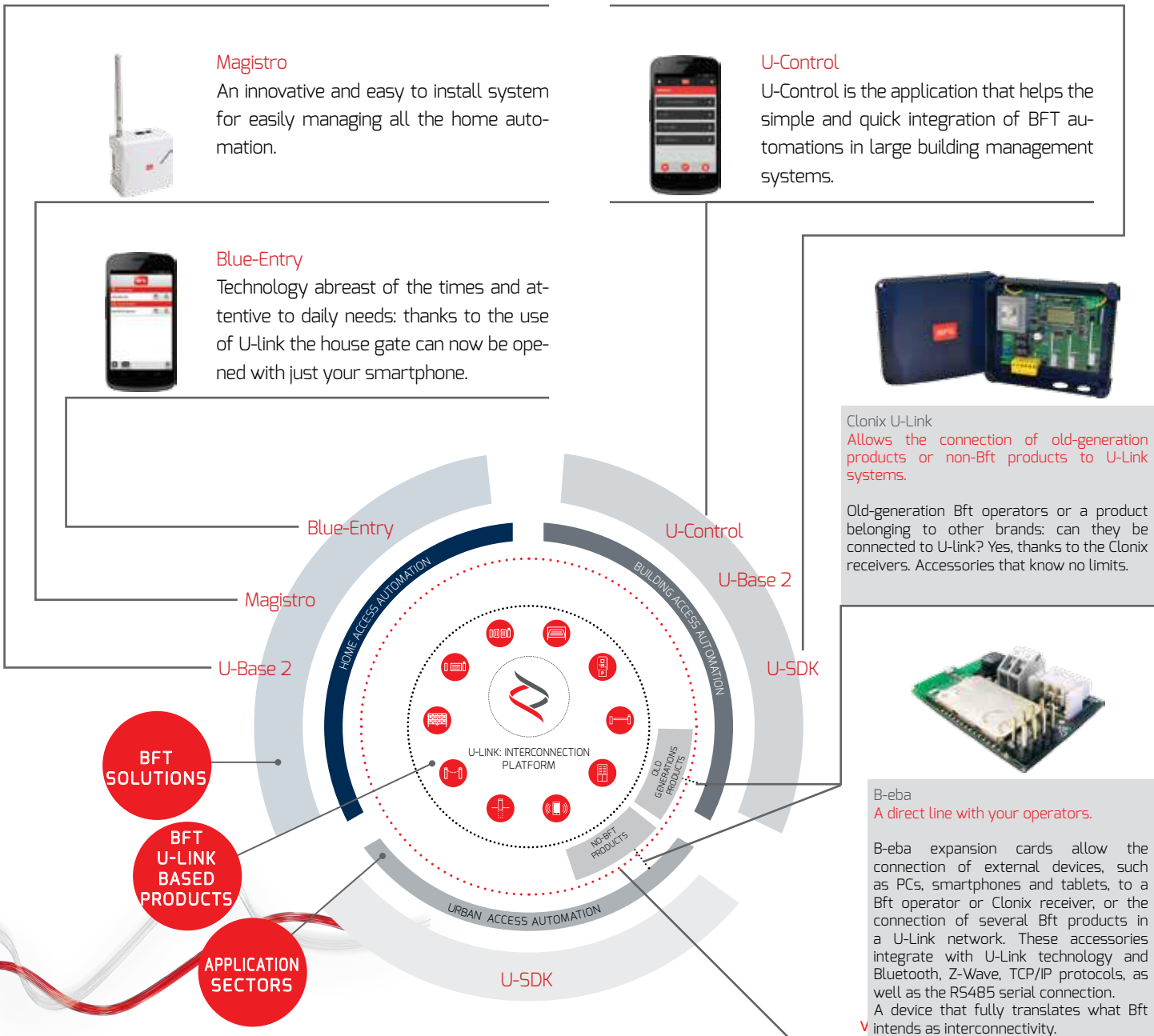
Technology abreast of the times and attentive to daily needs: thanks to the use of U-link the house gate can now be opened with just your smartphone.



Clonix U-Link

Allows the connection of old-generation products or non-Bft products to U-Link systems.

Old-generation Bft operators or a product belonging to other brands: can they be connected to U-link? Yes, thanks to the Clonix receivers. Accessories that know no limits.



B-Eba

A direct line with your operators.

B-eba expansion cards allow the connection of external devices, such as PCs, smartphones and tablets, to a Bft operator or Clonix receiver, or the connection of several Bft products in a U-Link network. These accessories integrate with U-Link technology and Bluetooth, Z-Wave, TCP/IP protocols, as well as the RS485 serial connection.

A device that fully translates what Bft intends as interconnectivity.

