

Electromechanical road barrier system for control of road access.

24 Vdc gearmotor with built-in control unit.

For bar up to 4 m.

Strength and reliability: robust structure in steel, new high strength balancing springs guaranteed up to 1,000,000 opening and closing operations and elliptical section bar with high wind-gust resistance.

Optional flashing or traffic light can be integrated in cover.

More comfort and safety in programming and maintenance phases: the separate enclosures for electronics and mechanics protect internal parts from potential risks.

Rapid and easy access to the control unit located in the upper section of the barrier body.

Simple fixture of the completely concealed photocells onto the specially designed seats on the barrier body.

More safety and reliability: obstacle detection and monitoring of motor absorption during automation movement.

Automatic fault diagnostics during operation with consequent signalling of fault type through specific flash sequences.

Provision for connection of latest generation optical and resistive sensitive edges (with 8.2 KOhm resistance).

Energy saving: the system sets to standby when not in use to save consumption.

No blackouts: emergency backup power with the optional batteries housed inside the case.

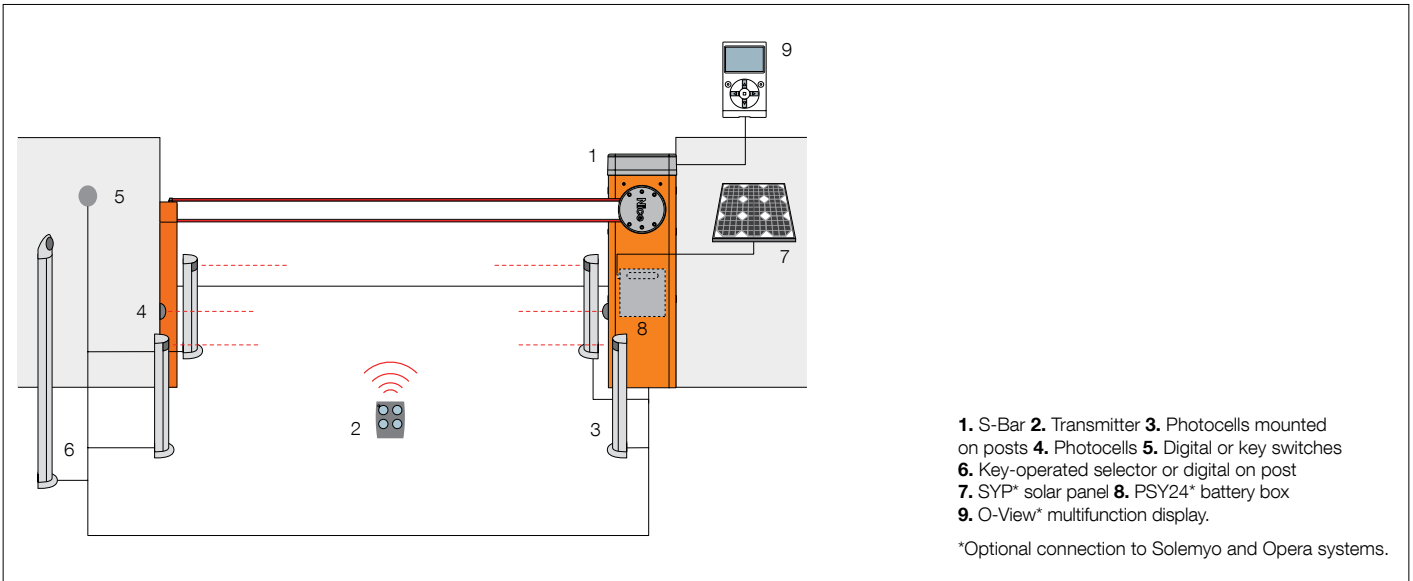
Release from side with Nice triangular key, can be installed on either side.

With bar up to 4 m, irreversible 230 Vac, 24 Vdc motor, with foundation plate:

Code	Description
SBAR	With steel case with protective cataphoresis treatment and paint finish
SBARI	With stainless steel case

Technical specifications

	SBAR	SBARI
Electrical data		
Power supply (Vac 50/60 Hz)	230	
Power supply (Vdc)	24	
Absorption (A)	1	
Power (W)	300	
Performance data		
Speed (s)	<4	
Torque (Nm)	100	
Work cycle (cycles/hour)	100	
Dimensional and general data		
Protection level (IP)	44	
Working temp. (°C Min/Max)	-20 ÷ +50	
Dimensions (mm)	330x180x1180 h	
Peso (kg)	46	



Accessories

Code	Description	Pc/pack
XBA20	Spare control unit for SBAR	1
PS124	24 V battery with integrated battery charger	1
XBA19	White paint-finished aluminium bar 45x58x4000 mm	1
XBA13	Rubber impact protection strip. Length 1 m	9
WA10	Red adhesive reflector strips	24
SIA1	Anchorage base with clamps	1
XBA7	Integrable flashing light	1
XBA4	Indicator lights for click fixture on upper or lower side of bar. Length 4 m	1
WA11	Adjustable stand for bars	1