

Accessories for: **COMMAND AND SAFETY**



164	Your selection guide	
166	Safety accessories	
168	Radio command accessories	
170	Complete systems	
172	Wave	Home automation
174	Set	Key switch selectors
176	Digital	Digital keypads
178	Kiaro	Flashing lights
180	Df	Safety sensitive edges
182	Delta - Dir - Delta S	Photocells
184	Db	Cordless photocells
186	Atomo	433.92 MHz
188	Tam	433.92 MHz
190	Top	433.92 MHz
192	Twin	433.92 MHz
194	Top	868.35 MHz
196	Top	30.900 MHz
198	Tfm	30.900 MHz
200	Touch	40.695 MHz



Delta-Dir-Delta S



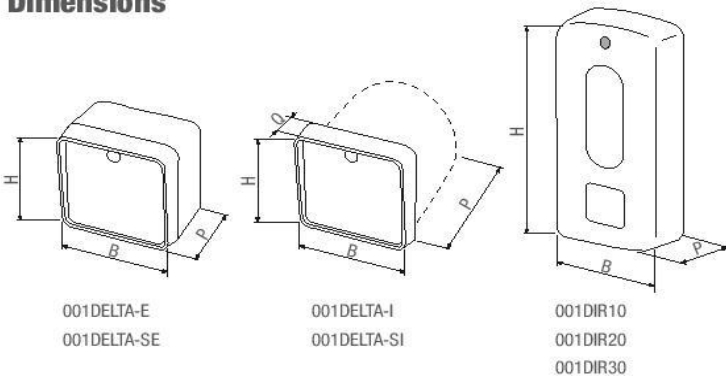
Photocells



Safety devices for gates and doors in movement

- Controlling of the gate movement areas.
- Infrared beam, even synchronised, to fend off possible external signal disturbances.
- For the Dir series photocells a double height post is available for installations on passage ways where heavy vehicles transit.
- Today CAME offers its Delta series infrared beam and Delta S synchronised beam photocells: one design for surface and flush-mounted applications.
- High-grade of protection from environmental agents.

Dimensions



Dimensions (mm/in)

MODEL	MOUNTING	B	H	P	Q
DELTA - E	SURFACE-MOUNTED	70/2.75	70/2.75	36/1.41	-
DELTA - SE	SURFACE-MOUNTED	70/2.75	70/2.75	36/1.41	-
DELTA - I	FLUSH-MOUNTED	70/2.75	70/2.75	52/2.04	16/0.62
DELTA - SI	FLUSH-MOUNTED	70/2.75	70/2.75	52/2.04	16/0.62
DIR10 - DIR20 - DIR30	SURFACE-MOUNTED	46/ 1.81	108/4.25	23/0.9	-

● 12 - 24 V AC - DC

Limits to use

MODEL	DELTA-E - DELTA-I	DELTA-SE - DELTA-SI	DIR10	DIR20	DIR30
Max range (m/ft)	20/65.61	20/65,61	10 /32.8	20/65.62	30/98.42

● 12 - 24 V AC - DC

Technical features

Type	DELTA-E - DELTA-I	DELTA-SE - DELTA-SI	DIR10 - DIR20 - DIR30
Protection rating IP	IP54	IP54	IP54
Power supply (V)	12 - 24 AC - DC	12 - 24 AC - DC	12 - 24 AC - DC
24 V relays output (mA)	500	500	1000
24 V AC current draw (mA)	110	70	60
Operating temperature (°C/°F)	-20 ÷ +55/-4 ÷ +131°C/°F	-20 ÷ +55/-4 ÷ +131°C/°F	-20 ÷ +55/-4 ÷ +131°C/°F
Material	ABS - POLYCARBONATE	ABS - POLYCARBONATE	ABS - POLYCARBONATE

● 12 - 24 V AC - DC

The complete range



Code	Description
Delta series infrared beam photocells	
001DELTA-I	Pair of flush-mounted photocells complete with casing. Range: 20 m / 65.62 ft.
001DELTA-E	Pair of surface-mounted photocells. Range: 20 m / 65.62 ft.
Dir series photocells with synchronised infrared beam	
001DIR10	Pair of photocells. Range: 10 m / 32.8 ft.
001DIR20	Pair of photocells. Range: 20 m / 65.62 ft.
001DIR30	Pair of photocells. Range: 30 m / 98.42 ft.
Delta S series photocells with synchronised infrared beam	
001DELTA-SI	Pair of flush-mounted photocells complete with casing. Range: 20 m / 65.62 ft.
001DELTA-SE	Pair of surface-mounted photocells. Range: 20 m / 65.62 ft.
Accessories for: 001DELTA-I - 001DELTA-SI	
009DOC-S	Flush-mounted casing.
001DOC-L	Natural anodised aluminium post. H = 500 mm / 1.64 ft.
001DOC-LN	Black anodised aluminium post. H = 500 mm / 1.64 ft.
Accessories for: 001DELTA-E - 001DELTA-SE	
001DOC-R	Steel support for pillar surface mounting.
Accessories for: 001DIR10 - 001DIR20 - 001DIR30	
001DIRZ	Aluminium alloy impact-proof protection.
001DIR-S	Flush-mounted casing.
001DIR-L	Natural anodised aluminium post. H = 500 mm / 1.64 ft.
001DIR-LN	Black anodised aluminium post. H = 500 mm / 1.64 ft.
Accessories for: 001DIR-L e 001DIR-LN	
001DIR-P	Natural anodised aluminium extension H = 500 mm / 1.64 ft post. To apply with double pair of photocells.
001DIR-PN	Black anodised aluminium extension H = 500 mm / 1.64 ft post. To apply with double pair of photocells.



NOTE:
001DELTA-I - 001DELTA-E Max number of pairs of photocells on a single installation: 4.