

COMMAX

Overview

VIDEO PHONE SYSTEM **CDV-70A** Color in-house unit



Fine View :

Revolutionary video quality of Fine View series is based on digital and full LED backlight technologies of COMMAX which is the dream for all kinds of the color video phones.

COMMAX' video door phone is well known for its high performances, neat designs and economical efficiencies throughout the world as well as domestic market.

Features



Door cameras CDV-70A

Pp to 2 door cameras connectable

OSD function CDV-70A

Adjusts functions easily using OSD(On screen display) menu



Guard station unit CDV-70A

Guard station unit called CLS-10 connectable



Fine View

Revolutionary video quality of Fine View series is based on digital and full LED backlight technologies of COMMAX which is the dream for all kinds of the color video phones



 **Spec**

- › **Power Source** | AC100~220V , 50/60Hz
- › **System type** | Stand-alone
- › **Extension Unit** | CDV-70A :DP-4VR/4VH/4HP(Interphone)
- › **Mounting type** | Wall surface mounted type

› Display	17.8 cm(7) inch color TFT LCD
› Wiring	Camera :4 wires Interphone:4 wires Guardstation unit:2 wires
› Dimension	243X168X35mm
› On-screen duration	Talk: 60sec, Standby: 30sec
› Distance	50m(Φ0.65), 28m(Φ0.5)
› Temperature	0(°C)~40(°C)
› Video standard	PAL or NTSC

Function



Monitoring& talk with a visitor, Door lock release



Monitoring an entrance



Up to 2 door cameras(CDV-70A)

Supports up to 2 door cameras



OSD menu(CDV-70A)

Equipped with On Screen Display (OSD)



Interphone (CDV-70A)

Supports 1 slave audio unit like DP-4HP/4VR/4H



Guard station unit(CDV-70A)

Supports guard station unit(CLS-10)



Handsfree

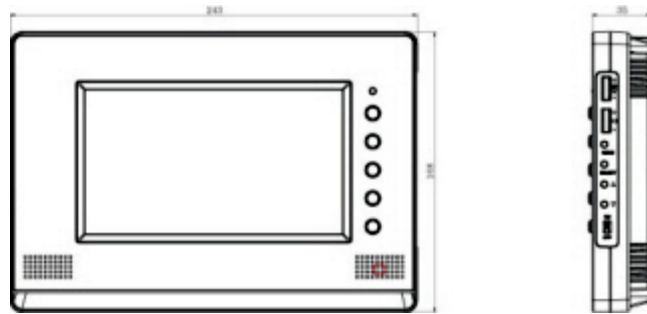


PAL or NTSC Selectable

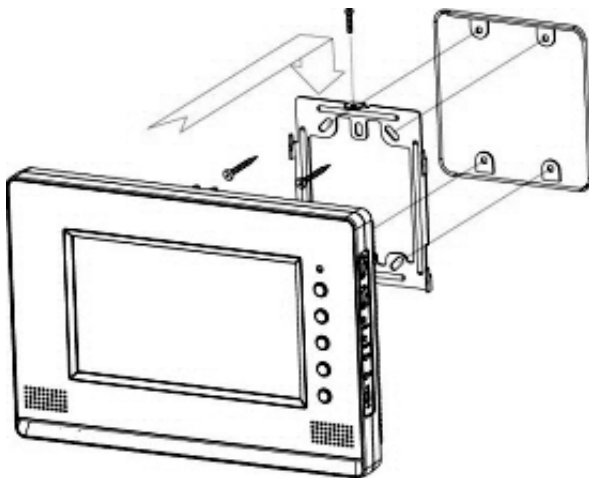
Measurements/ Installation diagram/ Wiring diagram, etc.



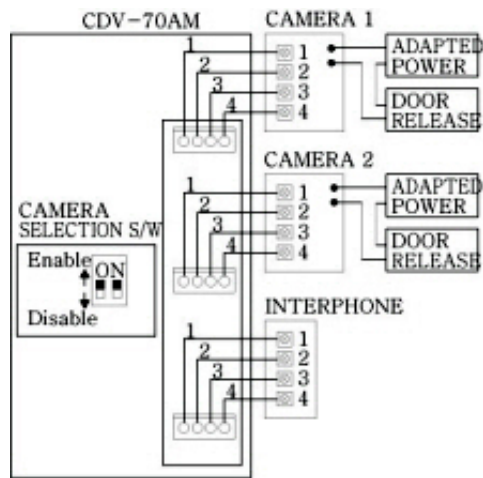
Measurements



Installation diagram



Wiring diagram



Gallery



Installation example



Living room

Connection products



CLS-10~240
Guard Station



(462-120) 513-11 SANGDAEWON-DONG, JUNGWON-GU, SEONGNAM-SI, GYEONGGI-DO, KOREA
TEL : 82-31 - 731-8791~5 FAX : 82-31 - 731- 8796~7 E-MAIL : ischoi@commax.co.kr

COPYRIGHT (C) 2009 BY COMMAX.COM ALL RIGHTS RESERVED