

COMMAX

Overview



KNX CDV-35H Color in-house unit

Fine View :

Revolutionary video quality of Fine View series is based on digital and full LED backlight technologies of COMMAX which is the dream for all kinds of the color video phones.

COMMAX' video door phone is well known for its high performances, neat designs and economical efficiencies throughout the world as well as domestic market.

Features



8.9cm(3.5) inch digital LCD color video phone

50% brighter using LED backlight

Slim design

Slim interior oriented design & thin depth of 31mm is realized by digital architecture



Handsfree and monitoring

Handsfree type for easy communication



Fine View

Revolutionary video quality of Fine View series is based on digital and full LED backlight technologies of COMMAX which is the dream for all kinds of the color video phones.



Energy saving 50%



 Spec

| | |
|-----------------------------|---|
| › Power Source | AC100~220V , 50/60Hz |
| › System type | Stand-alone |
| › Extension Unit | CDV-35H :DP-4VR/4VH/4HP(Interphone) |
| › Mounting type | Wall surface mounted type |
| › Display | 8.9 cm(3.5) inch color TFT LCD |
| › Wiring | Camera :4 wires Interphone:4 wires Guard station unit:2 wires |
| › Dimension | 133X209X31mm |
| › On-screen duration | Talk: 60sec, Standby: 30sec |
| › Distance | 50m(Φ0.65), 28m(Φ0.5) |
| › Temperature | 0(°C)~40(°C) |
| › Video standard | PAL or NTSC |

 Function


Monitoring& talk with a visitor, Door lock release



Monitoring an entrance



Up to 2 door cameras(CDV-35H)

Supports up to 2 door cameras



Interphone (CDV-35H)

Supports 1 slave audio unit like DP-4HP/4VR/4H



Guard station unit(CAV-35H)

Supports guard station unit(CLS-10)



Handsfree

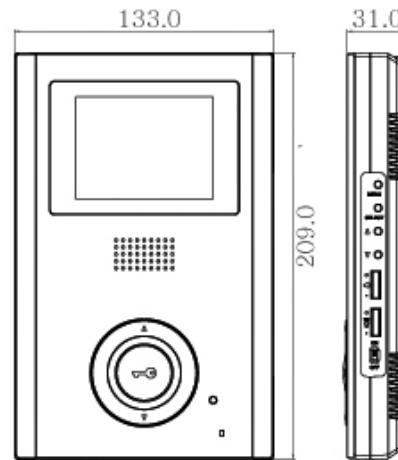


PAL or NTSC Selectable

 **Measurements/ Installation diagram/ Wiring diagram, etc.**

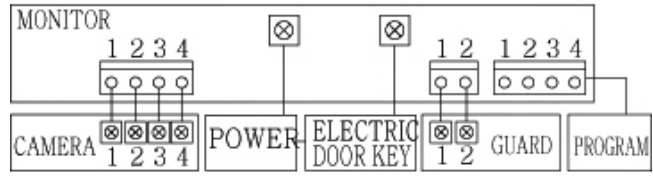
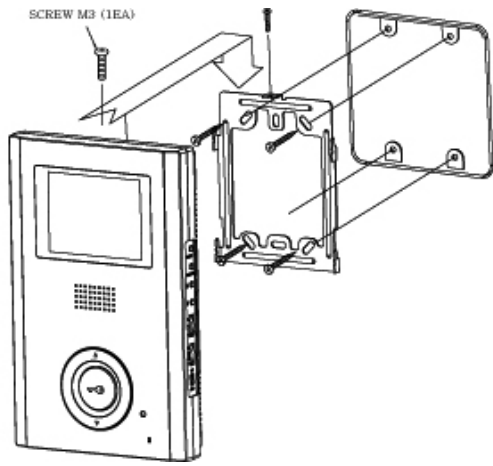


+ Measurements



+ Installation diagram

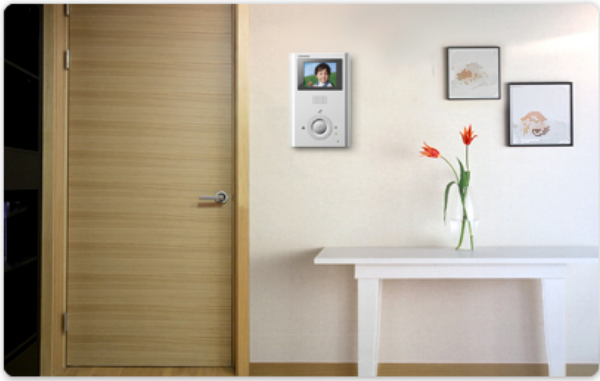
+ Wiring diagram



 Gallery



 Installation example



Connection products



CLS-10~240
Guard Station



(462-120) 513-11 SANGDAEWON-DONG, JUNGWON-GU, SEONGNAM-SI, GYEONGGI-DO, KOREA
TEL : 82-31 - 731-8791~5 FAX : 82-31 - 731- 8796~7 E-MAIL : ischoi@commax.co.kr

COPYRIGHT (C) 2009 BY COMMAX.COM ALL RIGHTS RESERVED