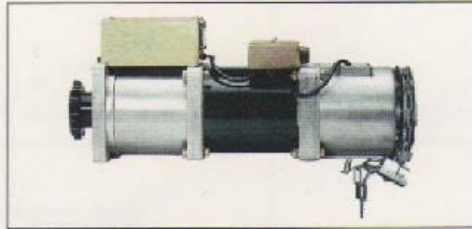
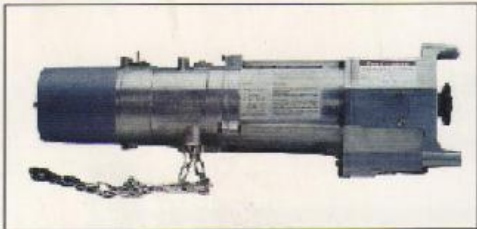


Matsuda

The Necker-Matsuda Group with over 10 years history and experience has developed and manufactured motors and home improvement products for internationally reputable companies in over 26 countries. All our products with the "Matsuda" brand name are made to comply with international standards such as UL, JIS, CE & BS.

NE Japanese Fire Shutter Motors



Motorized Retractable Awning/Shutter



Motorized Roller Blind/Auto-Door



1. Motors & Accessories

- Japanese Design Roller Shutter Motors
- Tubular Motors For Awnings, Blinds, Shades, Projection And Stage Screens, Roller Shutters and Etc.

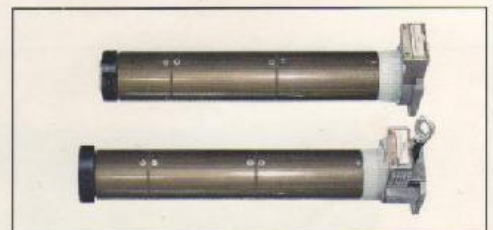
2. Motorized Retractable Awnings

3. Motorized Roller Blinds, Sunshades, Screens, Bamboo Chicks

4. Home improvement products: Motorized Laundry Dryer, Projection Screens, Mosquito Screens and etc.

5. OEM assignment accepted

EM Tubular Motors



Singapore Regional HQ

Bik 531 Bedok North St 3
#01-696, Singapore 460531
Tel:(65)6243 6011 Fax:(65)6243 9395 E-mail:neckersp@singnet.com.sg

www.matsuda-necker.com

OEM & Manufacturer of motors for roller shutters, tubular motors, blinds and home DIY products

Matsuda *Shutter and Tubular Motors*

NE800 Range...

Security and Fire Shutter Operators



Made to :
CE, IEC, JIS and BS Standards

Features

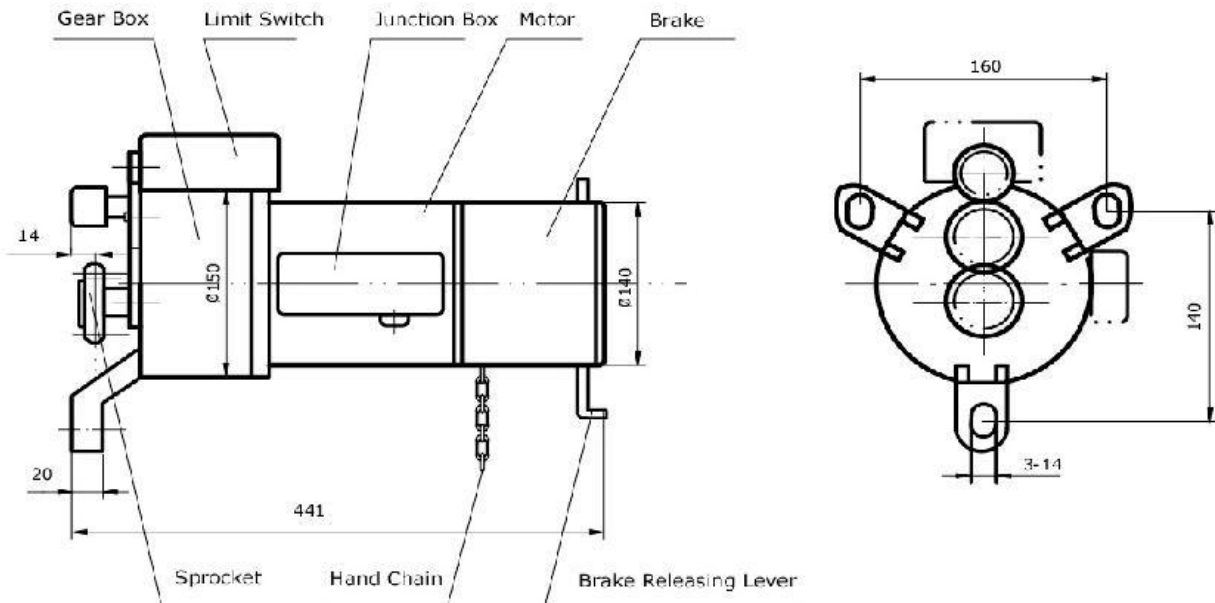
- *3-Phase only*
- *Return Signal Wiring*
- *Complete Bracket Set available*
- *Controlled Descent*
- *Hand crank and Hand chain version available*



OEM & Manufacturer of motors for roller shutters, tubular motors, blinds and home DIY products
www.matsuda-necker.com

PRODUCT DIMENSIONS

NE800 Range...



Specifications

Model	NE800T	
Weight (kg)	21	
Length (mm)	441	
Torque (N.m)	200	
Min Fall Torque (N.m)	2	
Voltage (V)	415	
Frequency (Hz)	50	60
Current Rating (Ampere)	3.0	3.4
Power Rating (Watt)	550	610
Motor Revolution (r.p.m)	970	1110
Number of Poles (P)	6	
Thermal Protector (In-house °C)	125	
Motor Insulation (Class)	B	
Output Revolution (r.p.m)	25	28.5
Limit Range (Sprocket Turns)	55	
Time Rating (Min)	<10	
Motor Sprocket Size	9T#60	