

# Bridge

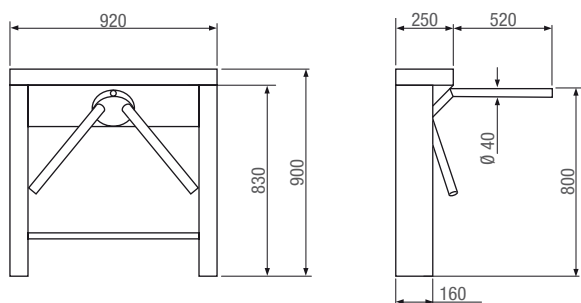
## Mechanical and electromechanical tripod turnstiles



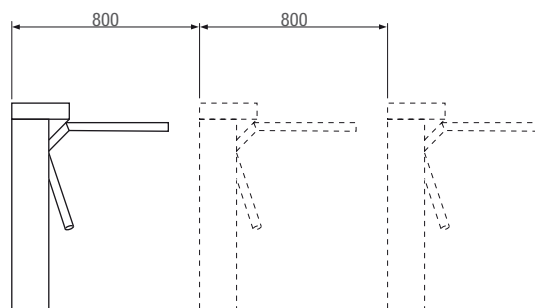
### The ideal solution for selecting pedestrian transit in high-intensity flow situations

- Ideal for controlling entrances and exits at small to medium sized sports centres, as well as supermarkets and business facilities.
- Small in size it is the ideal solution for multiple access control even when space is an issue.
- Especially sturdy and resistant to vandalism and tampering.
- RAL 7035 varnish finish.

### Dimensions (mm)



### Application (mm)



### Technical features

Type	PSAP01A - PSAP010	PSAP07 - PSAP08
Power supply (V)	-	230 AC
Operating power (V)	-	24 DC
Current draw (A)	-	2.5
Weight (Kg)	40	40
Operating temperature (°C/°F)	-	-20 ÷ +55/-4 ÷ +131

● 230 V AC

# The complete range



Code	Description
<b>Mechanical tripod turnstiles</b>	
001PSAP01A	Mechanical monodirectional anti-clockwise turnstile complete with hydraulic damper. Painted steel body.
001PSAP010	Mechanical monodirectional turnstile clockwise complete with hydraulic damper. Painted steel body.
<b>Electromechanical tripod turnstiles</b>	
001PSAP07N	Electromechanical bi-directional turnstile complete with control board and hydraulic damper. Automatic tripod release in case of blackouts.
001PSAP08	Electromechanical bi-directional turnstile complete with control board, hydraulic damper, bi-directional traffic light and high luminosity LED. Automatic tripod release in case of blackouts.
<b>Accessories for mechanical and electromechanical tripod turnstiles</b>	
001PSOPSC01	Antipanic rods with preasure joints.
001PSOPCN01	Mechanical counter.
001PSOPG01	Channeler complete with galvanized metal flange riser, plastic flange cover and AISI 304 stainless steel post with arc H = 1,000 mm / 39.37 in.
001PSOPG01X	Channeler complete with AISI 304 stainless steel flange riser, flange cover and post with arc H = 1,000 mm / 39.37 in.
001PSPEART	Plate with anticorodal structure and rice-grain aluminium walkway. To couple with Top series barriers and modular barriers.
<b>Accessories for electromechanical tripod turnstiles</b>	
001PSOPCN03	Electronic counter.
001PSOPSF03	Bi-directional traffic light with high-luminosity LED.

