

Twister

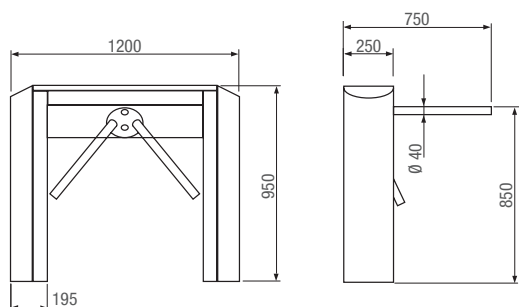
Electromechanical tripod turnstiles



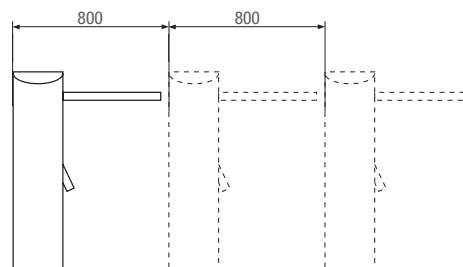
The ideal solution for selecting pedestrian transit in high-intensity passage flow areas with transponder

- The practical and functional turnstile for managing high-flow rates.
- Ideal for installing at train stations, ports and metro stations, sports facilities and stadiums, where entrance and exit operations need to be optimised.
- Perfectly integratable with Came access control systems.

Dimensions (mm)



Application (mm)



Technical features

Type	PSTPST001 - PST002 - PST003 - PST004
Power supply (V)	230 AC
Operating power (V)	24 DC
Current draw (A)	2.5
Weight (Kg)	60
Operating temperature (°C/°F)	-20 ÷ +55/-4 ÷ +131

● 230 V AC

The complete range



Code	Description
Electromechanical tripod turnstiles	
001 PST001	Electromechanical bi-directional turnstile made of AISI 304 steel with transponder sensors plus traffic light with display. Automatic tripod release in case of blackouts.
001 PST002	Electromechanical bi-directional turnstile made of AISI 304 steel with display. Automatic tripod release in case of blackouts.
001 PST003	Electromechanical bi-directional turnstile made of AISI 304 steel with scotch-brite finishing, complete with control board, high-luminosity LED traffic light, display and anti-overclimbing system. Automatic tripod release in case of blackouts.
001 PST004	Electromechanical bi-directional turnstile made of AISI 304 steel with display. Automatic tripod release in case of blackouts and arm stand-down system.
Accessories for: electromechanical tripod turnstiles	
001 PSOPSC01	Antipanic rods with preassure joints.
001 PSOPG01	Channeler complete with galvanized metal flange riser, plastic flange cover and AISI 304 stainless steel post with arc H = 1,000 mm / 39.37 in.
001 PSOPG01X	Channeler complete with AISI 304 stainless steel flange riser, flange cover and post with arc H = 1,000 mm / 39.37 in.
001 PSPEBUL	Plate with anticorodal structure and rice-grain aluminium walkway. To couple with Top series barriers and modular barriers.



NOTE
001PSOPSC01 Not suitable for 001PST004.