

# SL-100 Fail-safe Type Deadbolt Lock Installation Manual

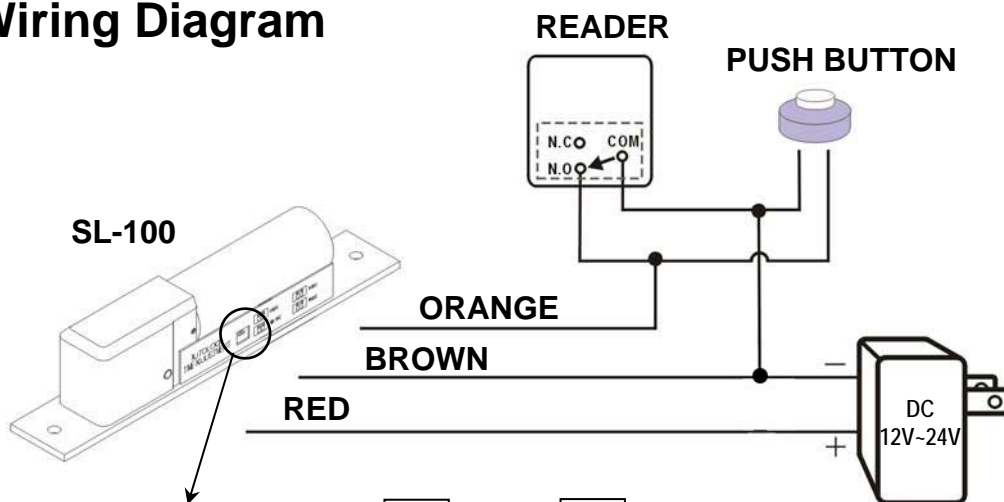
## ※ Specifications

Power Supply	1A@DC12V
Current	Operation Current 900mA, Holding Current 360mA
Operation Delay Time	0sec. 2.5sec. 5sec. 9sec.
Signal Output	Door Sensor(250mA)
Face Plate	200 (L) X 32 (W) X 40 (H) mm
Strike Plate	90 (L) X 26 (W) X 2.5 (H) mm
Bolt	16mm (Throw) X 15.5mm (Diameter)
Safety Measures	(1)Fail-safe Type(Power to lock). (2)Built-in photo couplers door open push button input contact. Door will lock again automatically when door is not open within 5 seconds.

## ※ Connections

Model Color	SL-100A ( 5 PIN )	Model Color	SL-100B ( 6 PIN )
Brown	- GND	Brown	- GND
Red	+DC12V	Red	+DC12V
Orange	Push Button	Orange	Push Button
Yellow	Door Position Sensor(N.C.)	Yellow	Door Position Sensor(N.C.)
Green	Door Position Sensor(COM.)	Green	Door Position Sensor(COM.)
		Bule	Door Position Sensor(N.O.)

## ※ Wiring Diagram

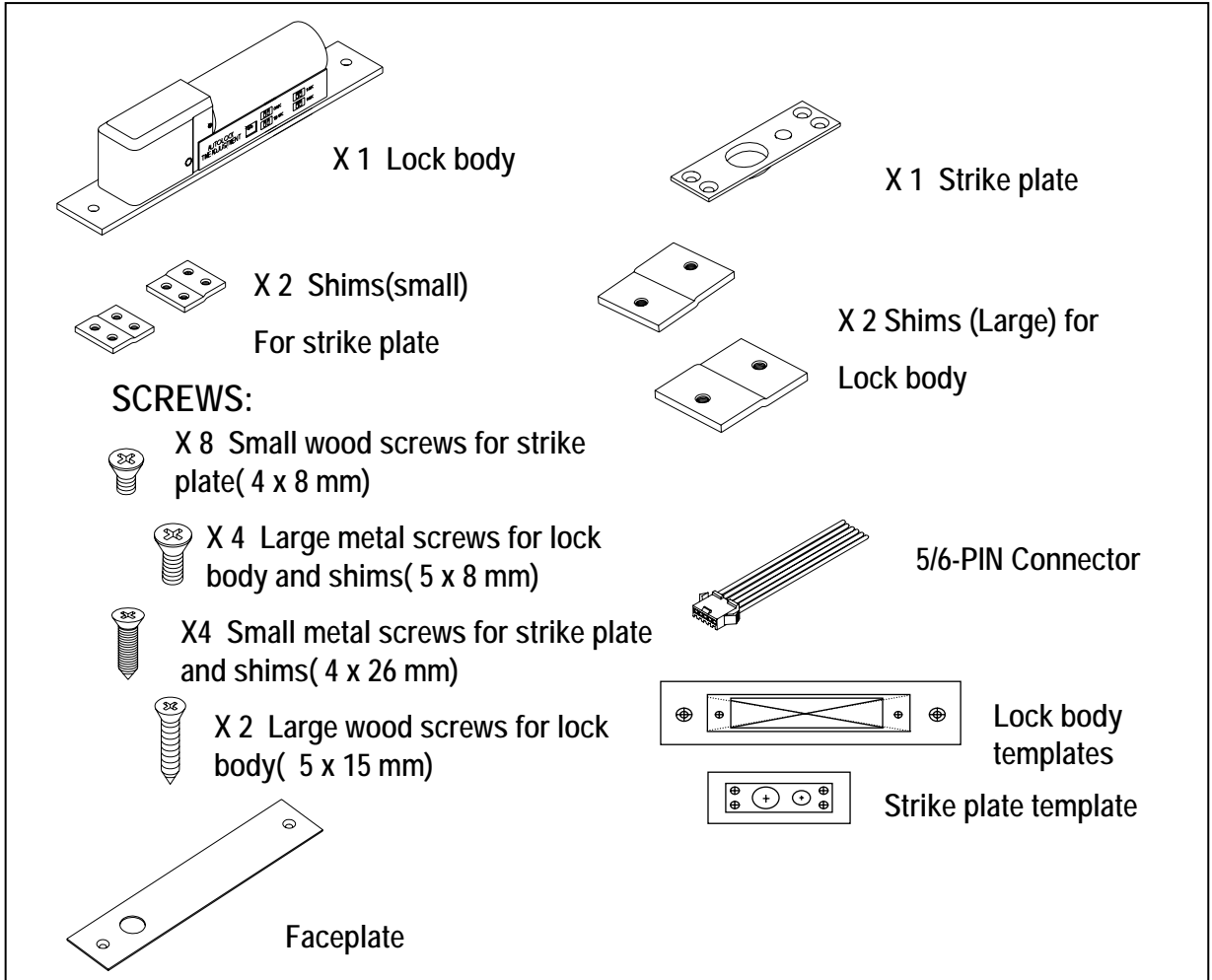


Setting door lock delay timer :  0 SEC.  5 SEC.

2.5 SEC.  9 SEC.

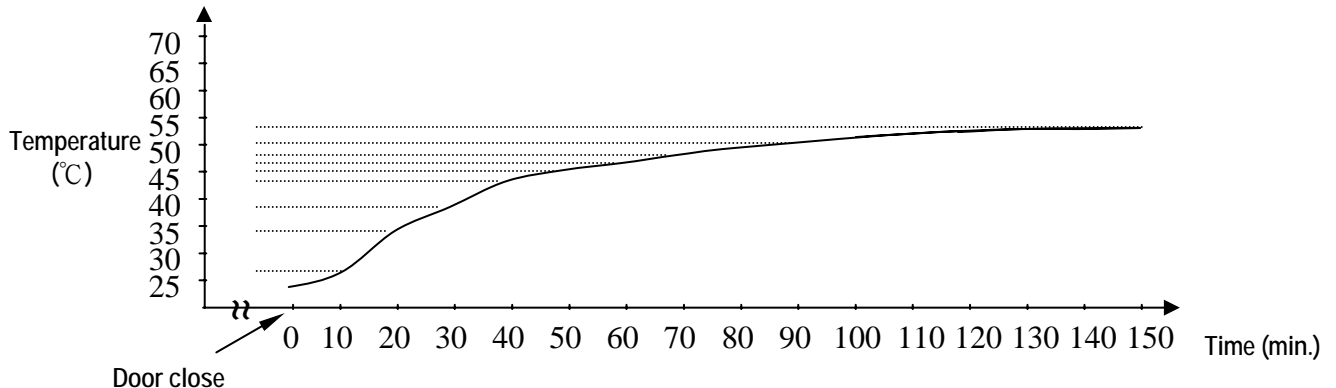
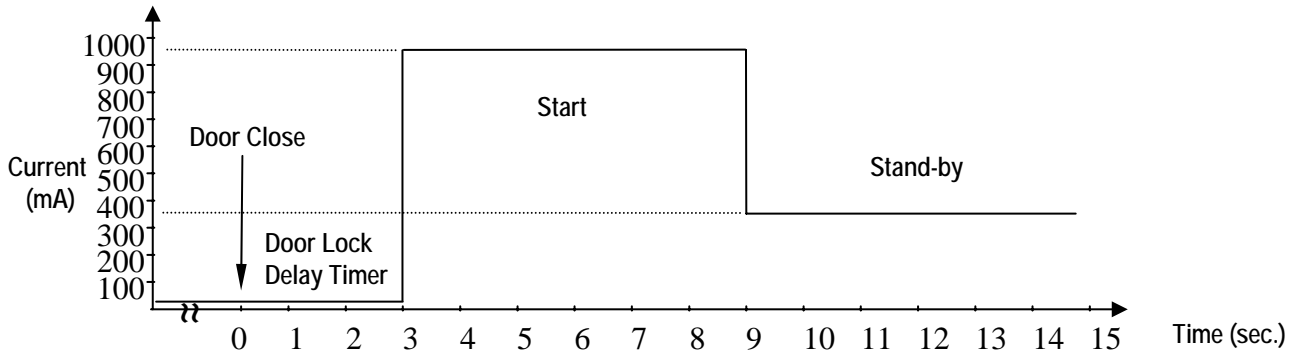
※Please switch on the appliance again to validate any adjustment of DIP switch value

## ❖ Accessories:



## ❖ Current and Temperature Chart:

(Measurement: Power Supply DC-12V, Room temperature 25°C, Humidity 60% Rh)



# ✂ Installation:

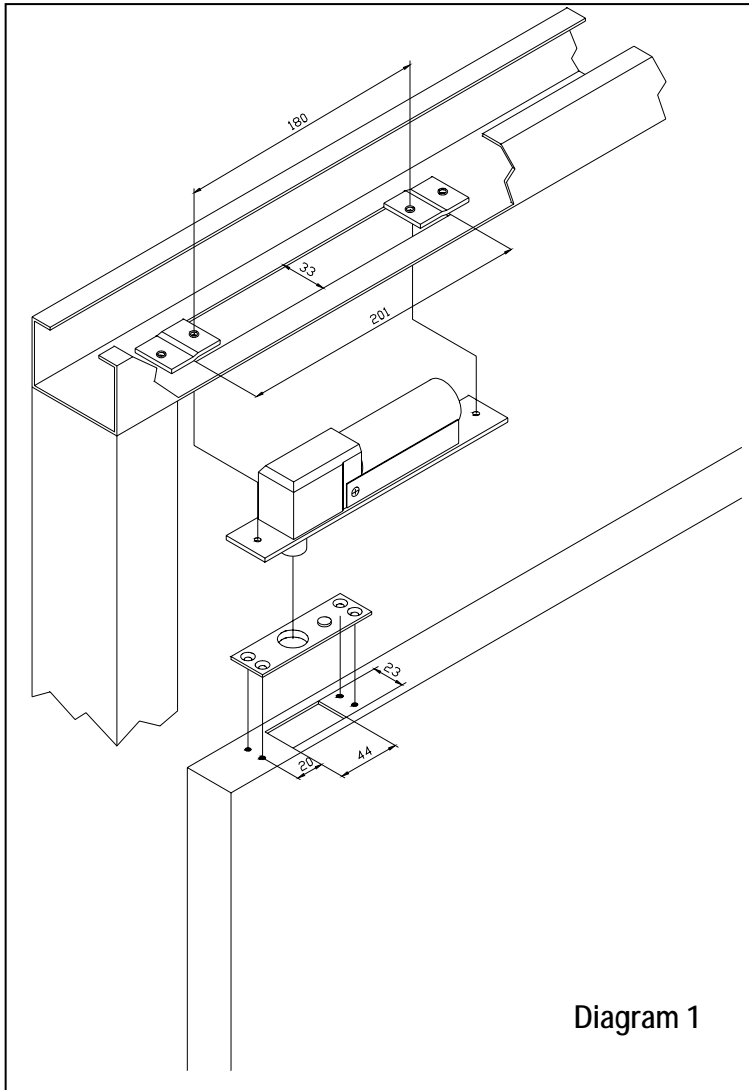


Diagram 1

## Instruction:

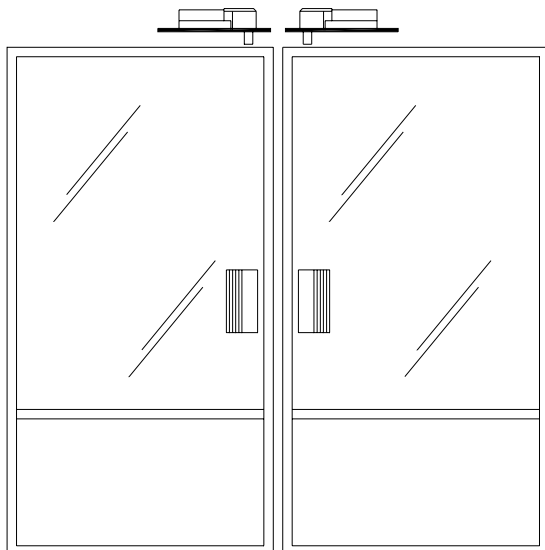
Diagram 1: Dimensions

Diagram 2: For double door mounting

Diagram 3: For single door mounting

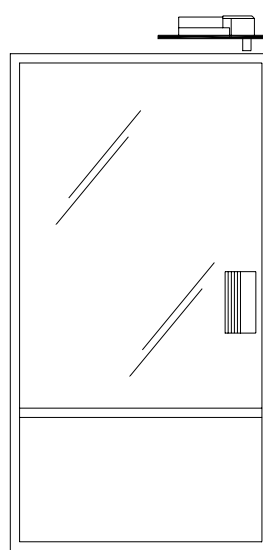
Diagram 4: For vertical mounting  
Important-For vertical mounting, wires must come out the top of the unit.

Diagram 2



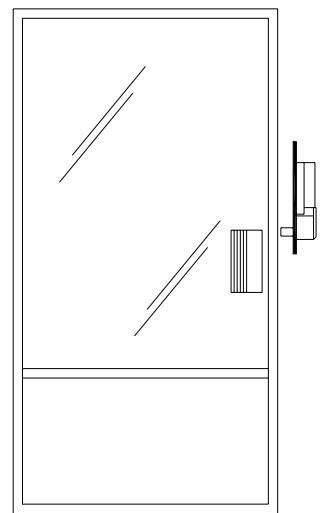
For double doors

Diagram 3



For single doors

Diagram 4



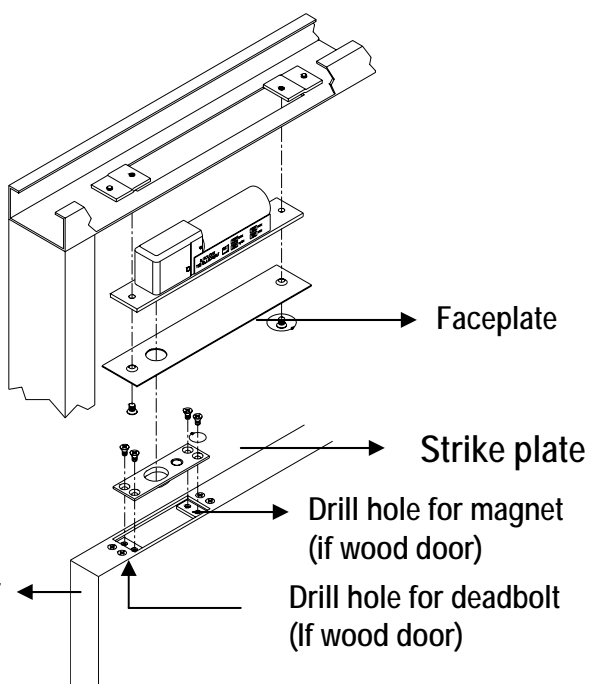
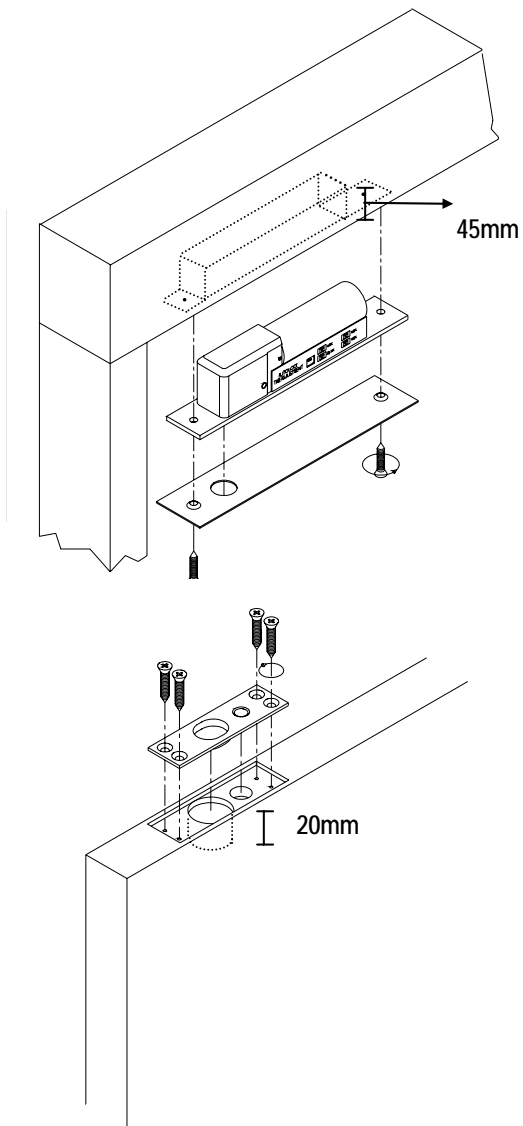
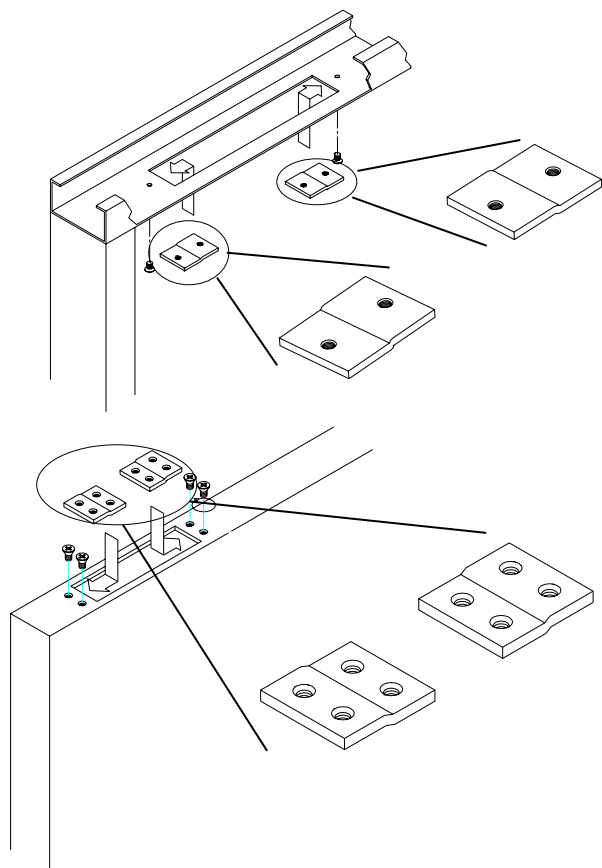
For single doors

# ※ Installation:

For hollow metal doors:

Please make sure the correct direction of the shims when mounted

For wood doors:



## Question & Answer

◆	The lock is hot?
	The operating temperature of the lock is normally within 55°C.
◆	No operation after installation?
	1.Please check power supply. 2.Please check if the direction of the template is being installed correctly 3.Please check the connection points(N.O or N.C)
◆	Lock will open when force is applied on the reader (eg. Hitting hard or vibrating the reader).?
	1.Please check all the connections . 2.Reader's N.C points might strike immediately when force is being applied on it this eventually causes the fail-safe type of lock to open when sudden power cut occurred. Please refer to page 1 for wiring to prevent such case happen.