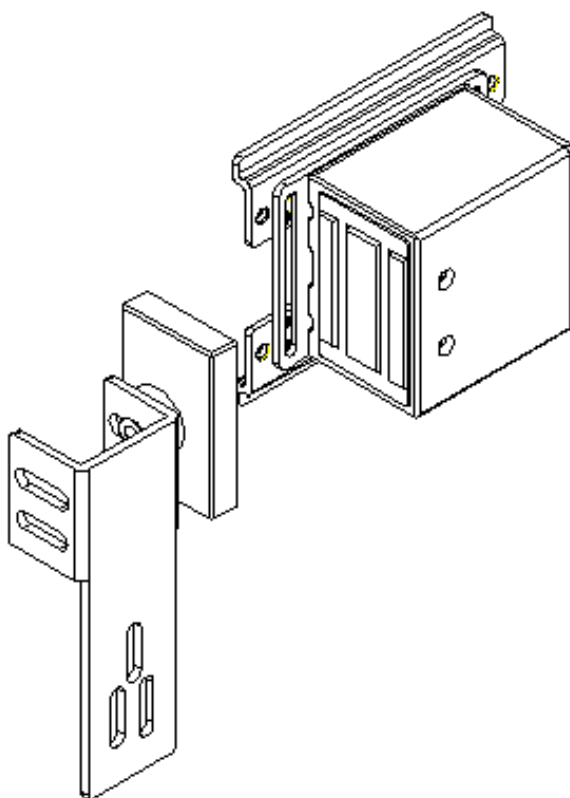




SL-150

Magnetic Lock for Sliding Door Installation Manual



SOCA TECHNOLOGY CO., LTD.

COPYRIGHT 2003 NOV V2.0

1. Specifications:

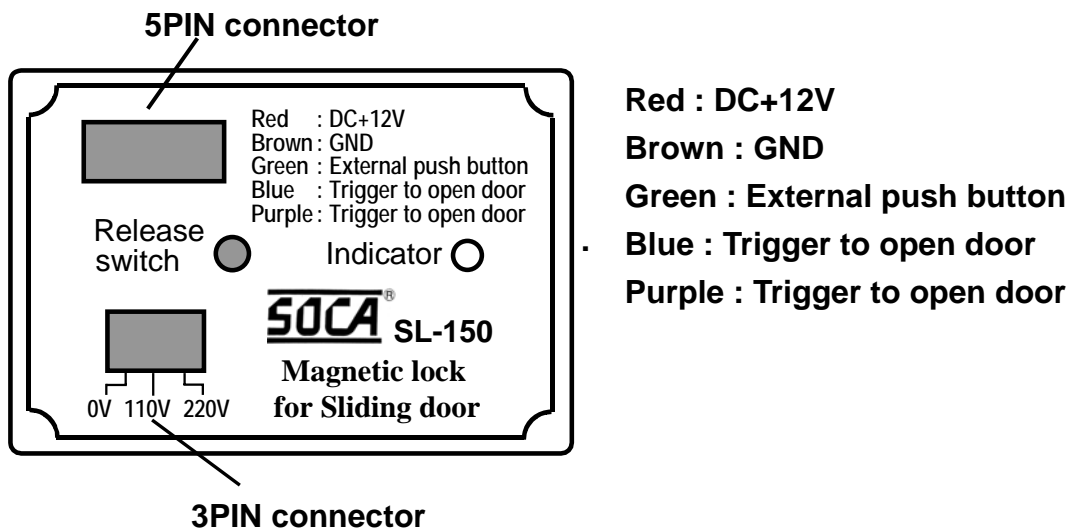
- ⊙ All-in-one design for easy installation. The lock itself would not have any residual magnetism.
- ⊙ Adjustable width (59mm~89mm) for use of different sliding doors' slots.
- ⊙ Armature which can be adjusted horizontally or vertically for better fitting.
- ⊙ Multi-voltage input design to fit all sliding doors (DC12V, AC110V, AC220V).
- ⊙ Input of DC12V to the reader when AC current is used with maximum of 200mA overload protection.
- ⊙ The lock itself is equipped with release switch and indicator for better maintenance of the sliding doors.
- ⊙ Built-in photocoupler connects with egress delay circuit push button point for easy installation.
- ⊙ Maximum holding force of 80kg/ 175lbs.
- ⊙ Currents: 150mA (depending on DC12V testing).
- ⊙ Dimensions

Magnetic lock body : 110mm(L) * 89mm(W) * 56mm(H).

Armature : 40mm(L) * 65mm(W) * 136mm(H).

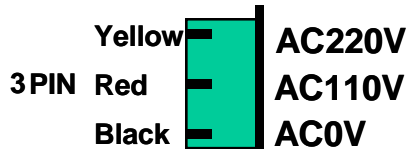
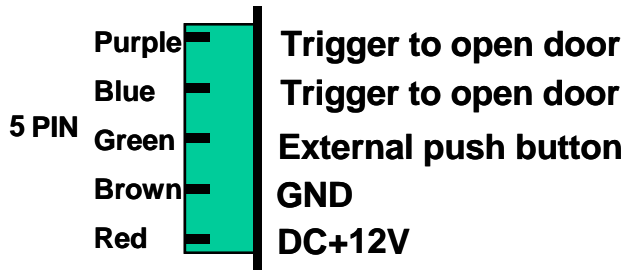
Total weight : 1.1kg.

2. Panel:



- ⊙ **3PIN connector:** To set either 110V or 220V.
- ⊙ **5PIN connector:** DC12V , external push button, triggers to open door.
- ⊙ **Release switch:** For better maintenance of sliding door.
- ⊙ **Indicator (red):**
 - (1). Normal state: Blinking
 - (2). Door opening: Light on

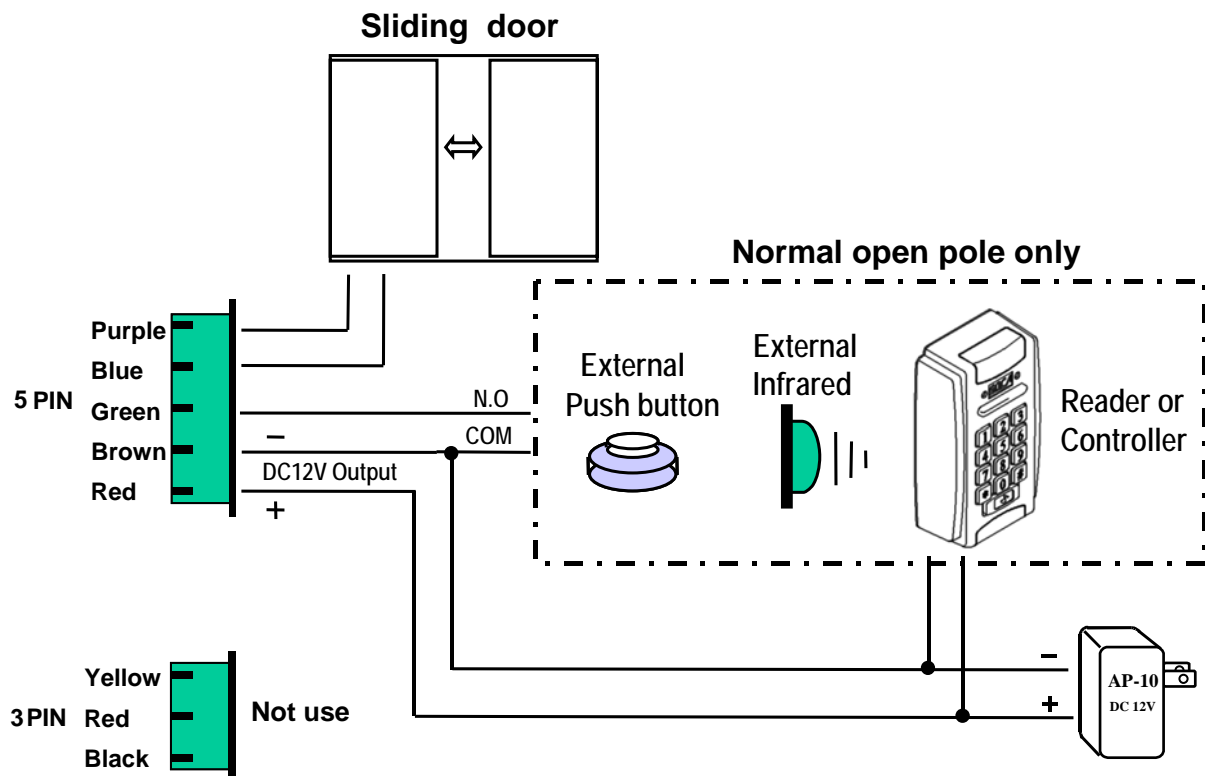
3. Connector:



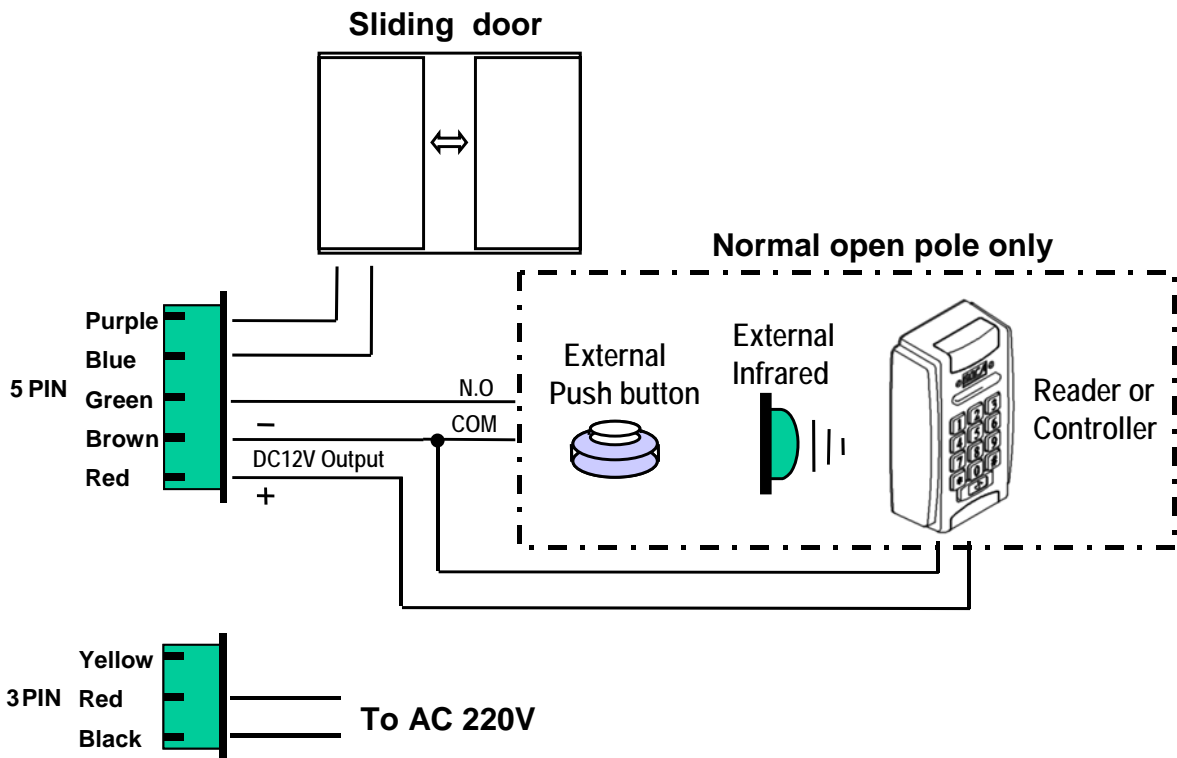
- P.S. (1) Please select only one power input (DC12V or 110V or 220V)
 (2) Trigger to door open relay contact rating: 1A/30VDC, 0.5A/120VAC.

4. Connector Wiring:

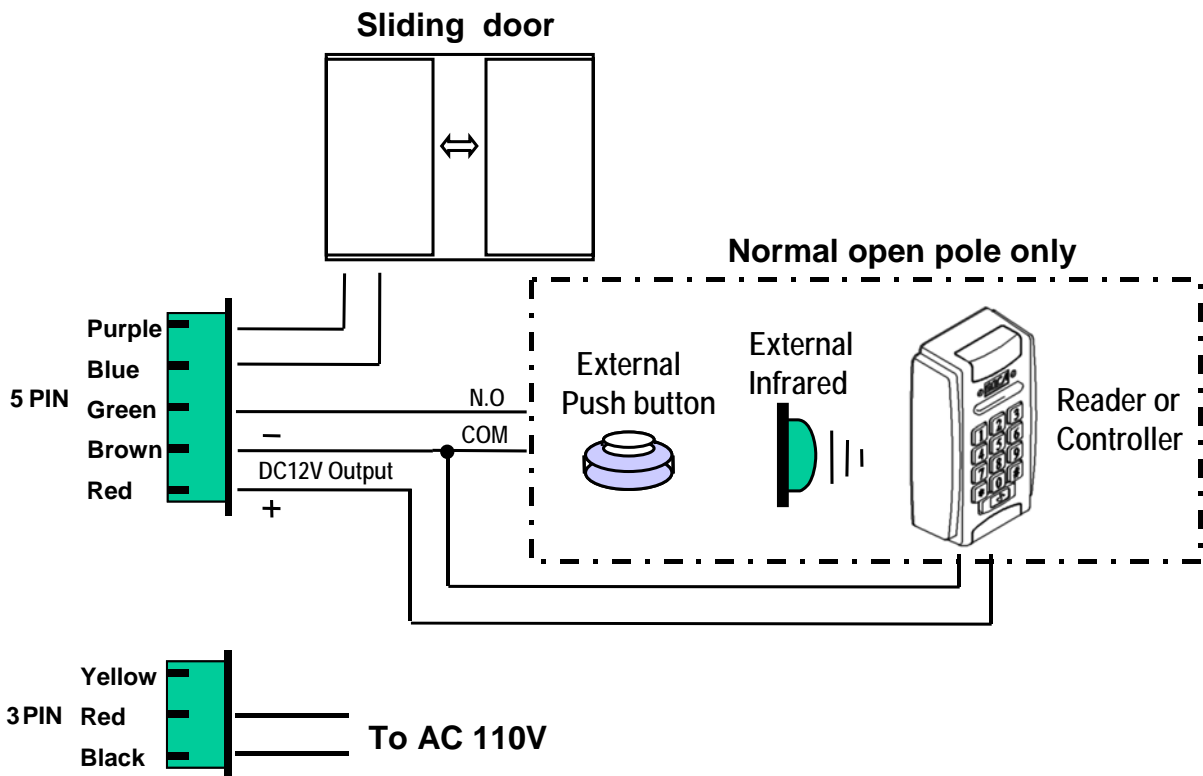
A . Use of DC12V only



B. Use of AC220V only



C. Use of AC110V only:

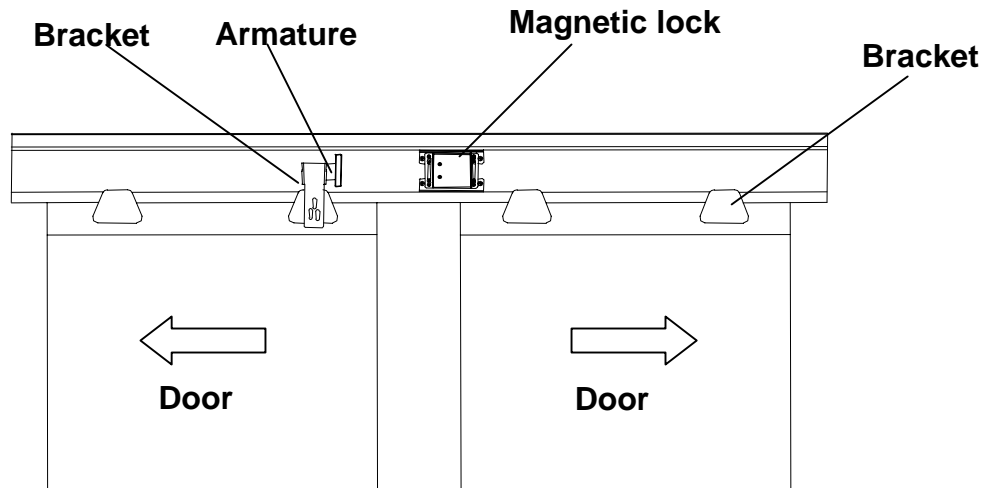


5. Precautions:

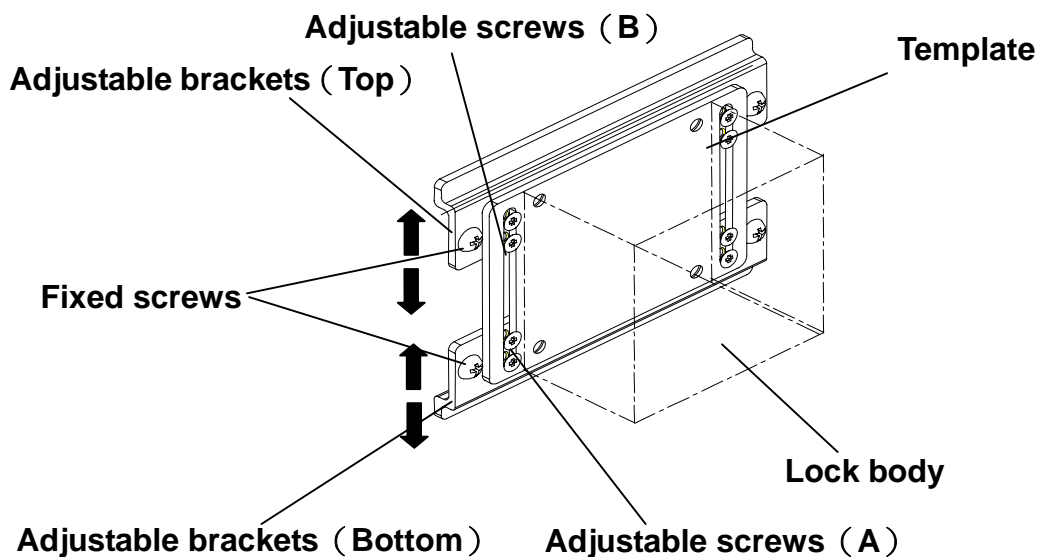
- (1) Before installation, please check the voltage and polarity of the power supply in order to avoid wrong connection causing damage to the magnetic lock.
- (2) Please make sure the armature is fitted correctly to avoid any damage to the door before use.
- (3) Please do not conduct any repairment or any modification to the system, unless by qualified personnel.
- (4) Warranty period for the magnetic lock is 1 year.

6. Installations:

(1) Physical installation

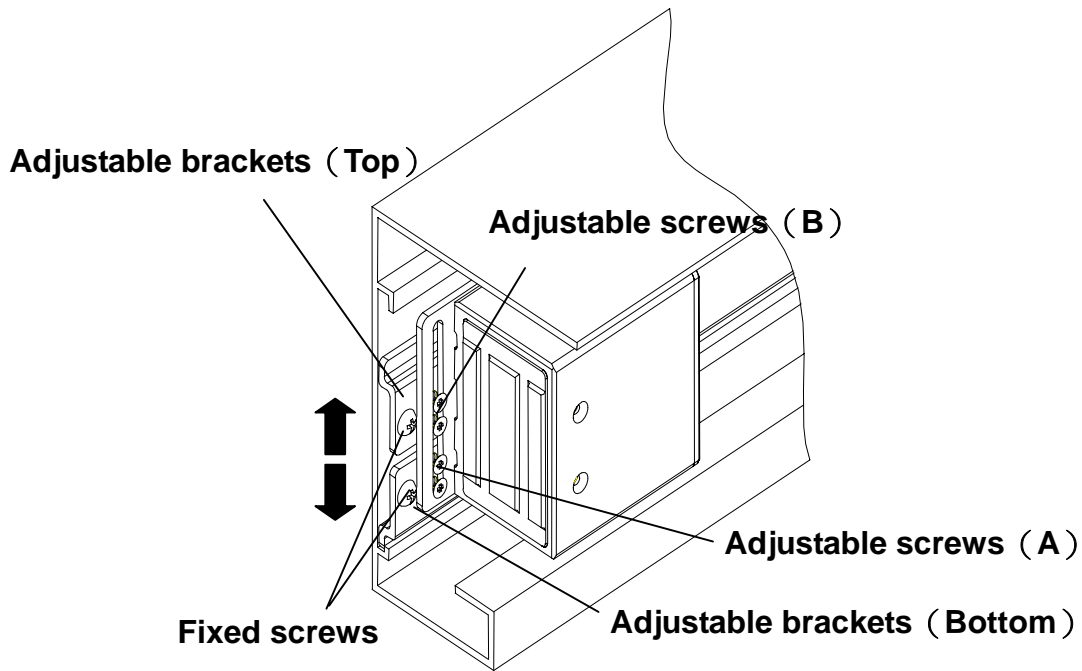


(2) Template assembly



- A. The use of the template is to fix the lock body to the adjustable bracket. 8 adjustable screws adjust the lock body on the template's two long vertical slits.
- B. There are 2 adjustable screws for all 4 sides of the template for stronger position holding and to avoid any damage to the template.
- C. Use fixed screws to fit the lock body to the slot tightly.

(3) Adjusting the brackets



- A. Loosen all 8 adjustable screws (A and B). Adjust the bracket (bottom) to the lowest point and tighten all 4 adjustable screws (A).**
- B. Fit the lock body to the slot. Adjust the bracket (top) to the slot.**
- C. Finally, tighten all 4 adjustable screws (B) and all fixed screws.**

(4) Adjusting the armature

