

# AGB DOUBLE SKIN SHUTTERS

AGB SHUTTER SERIES(110 SD)



## AGB 110 series roller shutter features

- *Insulated shutters offer increased security and wind resistance.*
- *Weatherproofing is provided by brush strips within the guides, and an integral weather seal on the bottom lath.*
- *Suitable for use in industrial and commercial applications, warehouses, loading bays, workshops, fire stations, etc.*
- *The polyurethane insulation ensure 100% energy savings.*

**AGB**  
[www.agbme.com](http://www.agbme.com)

# AGB DOUBLE SKIN SHUTTERS

## TECHNICAL FEATURES

### CURTAIN

Curtain will be composed of interlocking 11 cm aluminium double skin flat surface slats. The exterior and interior layer of the slat is made with 1.00 mm thick aluminium.

### TYPE OF ALUMINIUM

Tempered Alloy 6063 with standard of BS EN-755-9: 2001. The curtain designed to withstand a 20 PSF wind load. Ends of alternate slats will be fitted with plastic end - clips.

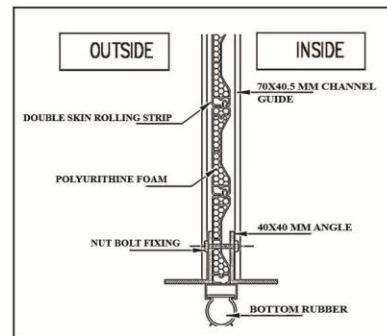
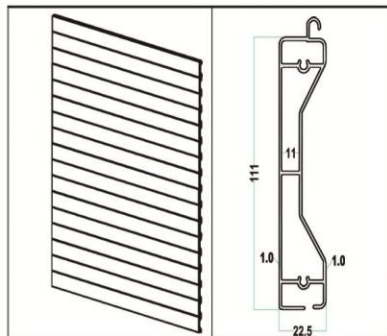
### INSULATION

The area between interior and exterior layer is filled with polyurethane insulation, the R- value of 6 - 7 ( $u=0.15$ ).

### FINISH

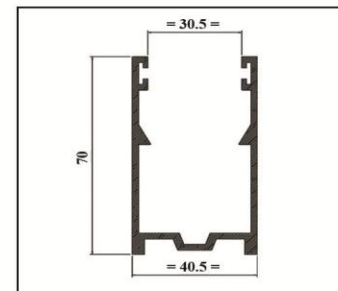
The shutter can be supplied in two finish: Aluminium finish (mill finish) and powder coated finish. The powder coating will be according to the Jotun standard (from 60 to 80 microns).

## STRIP DETAILS



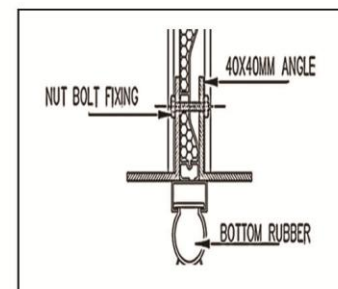
### GUIDES

Heavy duty aluminium guide channel with a size of 70X40.5 mm provided. Brush system included to reduce the noise while on curtain movement.



### BOTTOM BAR

The AGB 110 series features a strong double-angle bottom bar that reinforces the lower edge of the curtain against wind pressure and permits varied lock, astragal, and safety edge options.





# AGB DOUBLE SKIN SHUTTERS

## TYPE OF OPERATIONS

### Self - Coiling Push - Pull Manual Rolling Shutters

Self - Coiling Type Rolling Shutters are operated by pulling or pushing the shutters manually. Counter balancing of the shutter curtain weight is done by using high tension coil type springs (made from special steel spring wire) within strong suspension shaft to reduce deflection. Due to manual exertion, these shutters are ideal for very small size only.



### Chain - Operated Rolling Shutters

These shutters are manually operated by chain hoist system with endless chain. They are relatively easy to operate as compared to the self - Coiling (push - Pull or Manual) Type Rolling Shutters as they roll up and down smoothly. Counter balancing of the shutter curtain weight is done by using high tension coil type springs (made from special steel spring wire) within strong suspension shaft to reduce deflection. These rolling shutters are ideal for small size.

### Electrically - Operated Rolling Shutters

Electrical Type Rolling Shutters are operated by using a range of electrical motors capable of operating shutters of all sizes. They are made up of self-braking worm gear with hollow shaft, integrated limit switches, integrated safety brakes with overload protection. Operationally, these shutters are relatively easy, hassle free and extremely safe and operate by integrating the control accessories like push-button, key selector or remote controls. During downtime, the option for manual operation is also available.

